

***Cover page***

***Hollow Utron***

**(Machine Shop Design Schematic)**

***Threaded hollow construction.***

***4 pages including  
cover page.***

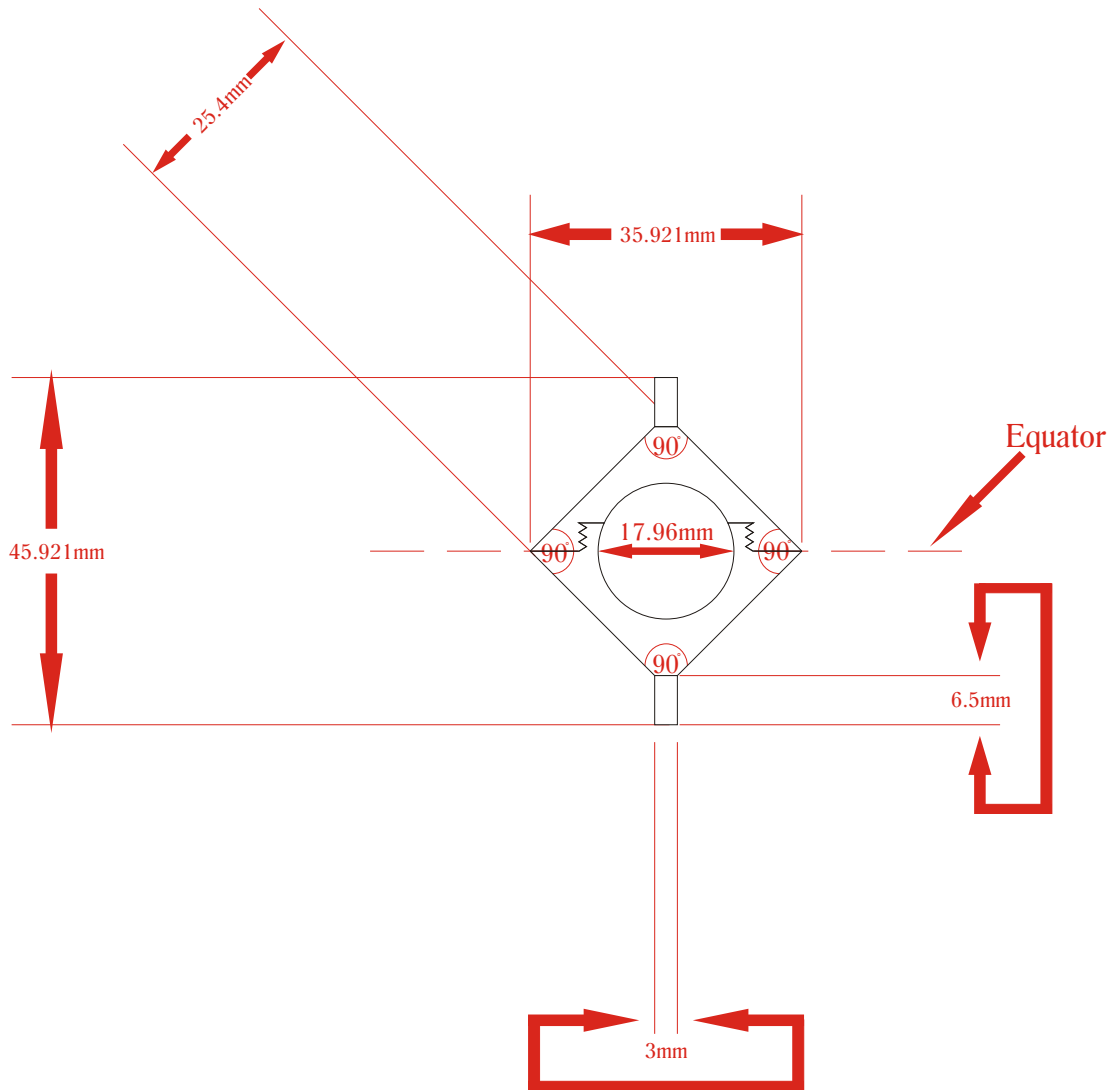
***Red lines & text:*** represent measurement, angular lines of interaction, angular degrees, thickness lines, design lines and technical information / specification.

***Black lines:*** represent actual shape and final component design to be machined.

***All drawings are actual size, background page size is A4 or 21 cm x 29.7 cm.***

# Utron

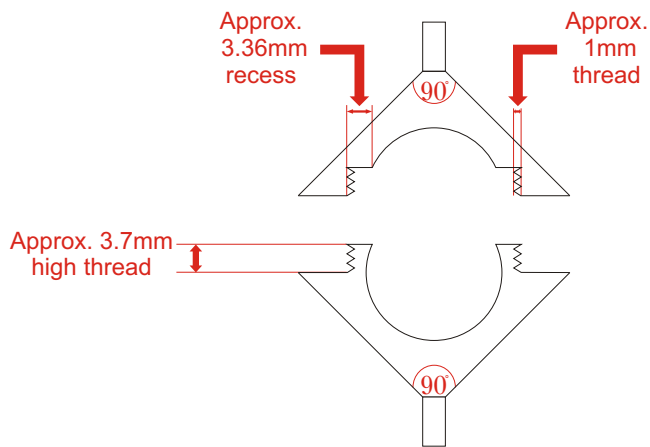
(Machine Shop Design Schematic)



***Two piece, double cones, threaded so as to screw together.***

# ***Utron***

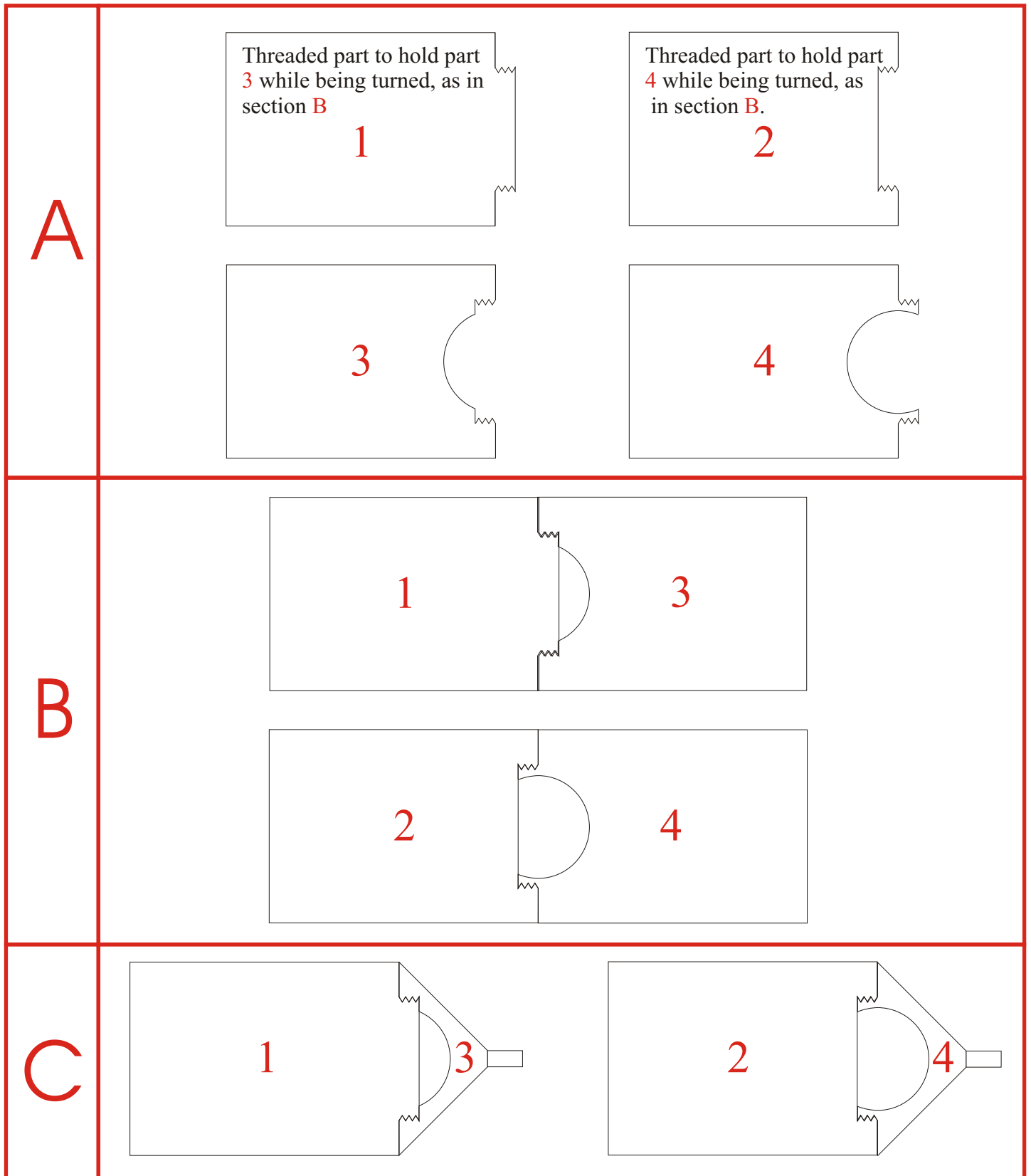
**(Machine Shop Design Schematic)**



***Expanded view of each half.***

# Utron

(Machine Shop Design Schematic)



***It may be necessary to begin the machining with the parts marked **1, 2, 3, 4** above in section **A**. With the corresponding threads machined on each end to hold the cones **3 & 4** respectively, as they are being machined.***